



General Purpose Relay

GM, GMP AND GMS SERIES

This miniature MASTERELAY series GM, GMP and GMS is slightly larger than 1 cubic inch. They are designed primarily for applications where compactness and multi-switching functions are needed, such as data processing, computers, process control, and many other design requirements.

SPECIFICATIONS

GENERAL

- Series:
 - GM: plug-in mounting
 - GMP: P.C. mounting
 - GMS: Surface mounting
- Indicator light: available in all voltages
- Life:
 - Electrical, approximately 150,000 operations
 - Mechanical, approximately 50,000,000 operations
- Temperature range:
 - Operating: -40°C to $+70^{\circ}\text{C}$
 - Storage: -50°C to $+90^{\circ}\text{C}$
- UL listed: File number E67867

COIL

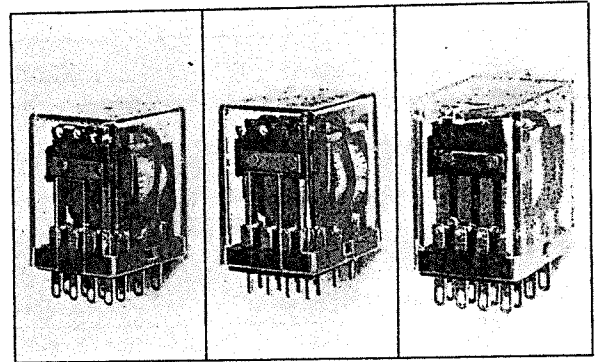
- Voltage:
 - AC: 6 to 240 VAC, 50/60 HZ
 - DC: 6 to 110 VDC
- Power:
 - AC: 1.2 Volt amperes
 - DC: 1W
- Pick-up voltage:
 - AC: 85% of nominal voltage
 - DC: 75% of nominal voltage
- Duty: Continuous
- Resistance: 11,000 ohms max. (see Coil Data Table)

CONTACTS

- Arrangement: SPDT, DPDT and 4PDT
- Material:
 - SPDT, and DPDT: 90% silver, 10% nickel
 - 4PDT: Fine silver, gold flash
- Rating:
 - SPDT and DPDT, 5 Amps
 - 4PDT: 3 Amps
- Time:
 - Operate: 12ms approximately
 - Release: 9ms approximately

PHYSICAL

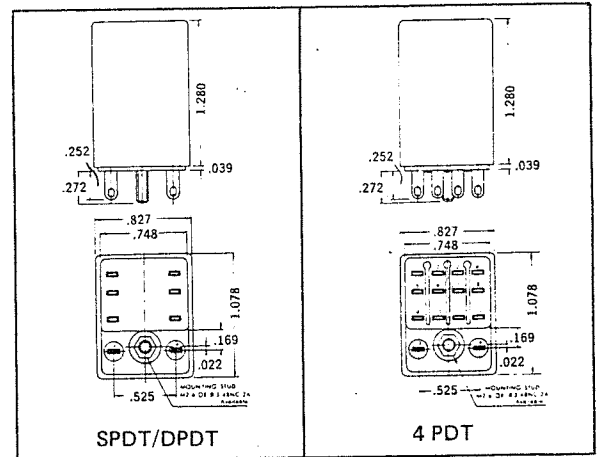
- Dimensions: 1.28 x 1.08 x 0.83 (1.14 cu in.)
- Enclosure: Transparent, heat-resistant, high-impact polycarbonate dust cover
- Weight: Approximately 1.5 oz.



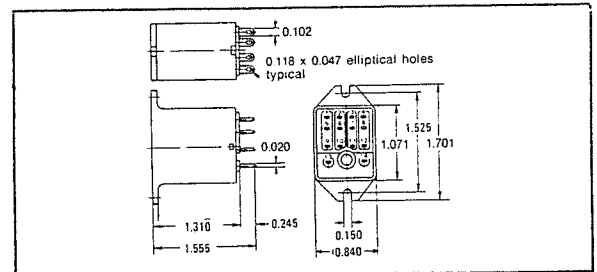
GM

GMP

GMS

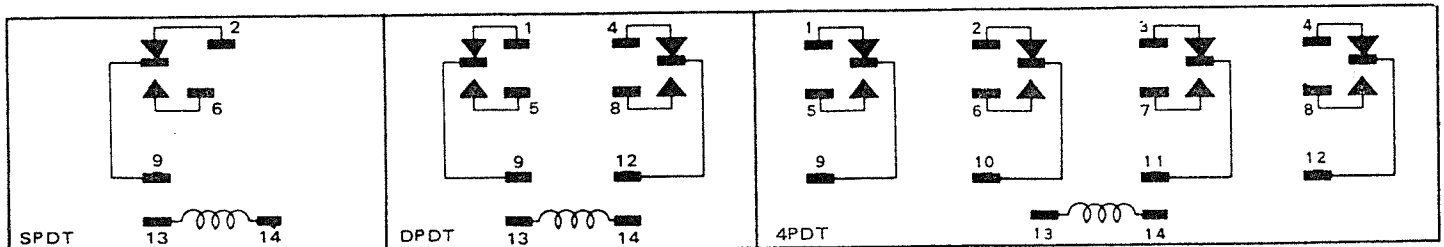


GM AND GMP SERIES



GMS SERIES

CONNECTION DIAGRAM



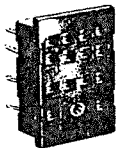
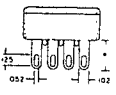
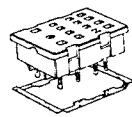
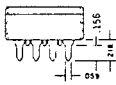

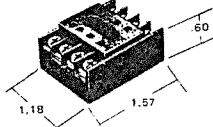
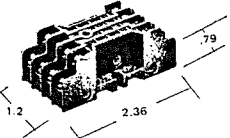
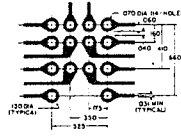
EXAMPLE PART NUMBER

- 1) GM-DPDT-120A describes GM series relay, DPDT, 120VAC input voltage.
- 2) GM-DPDT-120AN, same as above with an indicator light.
- 3) GMP-4PDT-24D describes P.C. board mount, 4PDT, 24VDC input voltage.
- 4) GMS-4PDT-120A describes surface mount, 4PDT, 120VAC input voltage.

COIL DATA TABLE

AC Coil		DC Coil	
Voltage	Resistance	Voltage	Resistance
6 VAC	10 ohms	6 VDC	40 ohms
12 VAC	43 ohms	12 VDC	160 ohms
24 VAC	160 ohms	24 VDC	650 ohms
48 VAC	600 ohms	48 VDC	2600 ohms
120 VAC	3900 ohms	110 VDC	11000 ohms

SOCKETS AND ACCESSORIES

 SPDT, DPDT OR 4PDT	 N-16	 N-212 Ring for N-16	 N-17	 N-211 Hold Down Spring
 N-18 DPDT ONLY	 N-19 SPDT, DPDT or 4PDT	SUGGESTED PC LAYOUT 		

RELAY PRICING INFORMATION

PART NUMBER	1-24	25-49	50-99	100-249	250-499
GM or GMP-SPDT- 6, 12, 24 D GM or GMP-SPDT- 48, 110 D GM or GMP-SPDT- 6, 12, 24 A GM or GMP-SPDT- 48, 120 A					
GM or GMP-DPDT or 4PDT- 6, 12, 24 D GM or GMP-DPDT or 4PDT- 48, 110 D GM or GMP-DPDT or 4PDT- 6, 12, 24 A GM or GMP-DPDT or 4PDT- 48, 120 A					
GMS-SPDT- 6, 12, 24 D GMS-SPDT- 48, 110 D GMS-SPDT- 6, 12, 24 A GMS-SPDT- 48, 120 A					
GMS-DPDT or 4PDT- 6, 12, 24 D GMS-DPDT or 4PDT- 48, 110 D GMS-DPDT or 4PDT- 6, 12, 24 A GMS-DPDT or 4PDT- 48, 120 A					

INDICATOR LAMP: Add suffix N to the end of Part Number. Price adder \$1.50 in any quantity.

SOCKET PRICING INFORMATION

Part No.	1-24	25-49	50-99	100-249	250-499	Part No.	1-24	25-49	50-99	100-249	250-499
N-16											
N-17											
N-18											

MEC MASTER ELECTRONIC CONTROLS
 P.O. BOX 25662 • LOS ANGELES, CALIFORNIA 90025 • TELEPHONE (213) 393-3177 • TELEX: 182041 MASTER SNM